

# Single-use Sanitary Clamps

## Reduce overtightening and unintended loosening

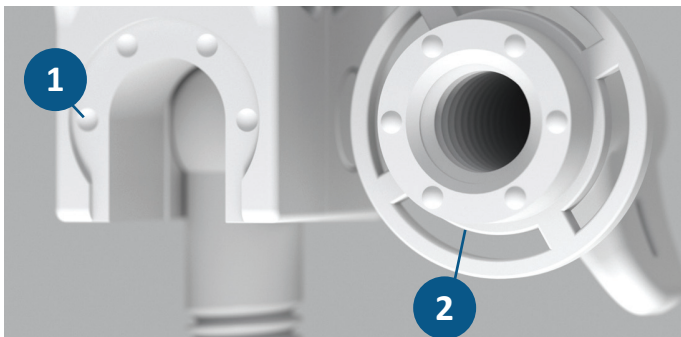
Data Sheet

Sanitary clamps are a critical component to single-use assemblies and therefore represent an important factor for supply chain security. Repligen ProConnex® premium quality clamps are lightweight and with ergonomics that enable single handed operation but are also suitable for high pressure applications.

- Meets all bioprocess quality standards
- Compatible with ASME-BPE flange and gasket standards
- Suitable for metallic and non-metallic connections
- Designed for single-hand operation
- Available in  $\frac{3}{4}$ , 1 1/2, 2 and 3 inches



A patented detent/indent physical feedback mechanism helps prevent overtightening and component failure. The detent/indent also acts as a physical mechanism to resist unintended loosening that would compromise process integrity.



1. Indents
2. Detents



Alignment creates mechanical “click” and helps lock position.

RE\_0138\_0096\_10JUL2023

[repligen.com](https://repligen.com)

© 2023 Repligen Corporation. All rights reserved. The trademarks mentioned herein are the property of Repligen Corporation and/or its affiliate(s) or their respective owners.

 **REPLIGEN**

**Performance**

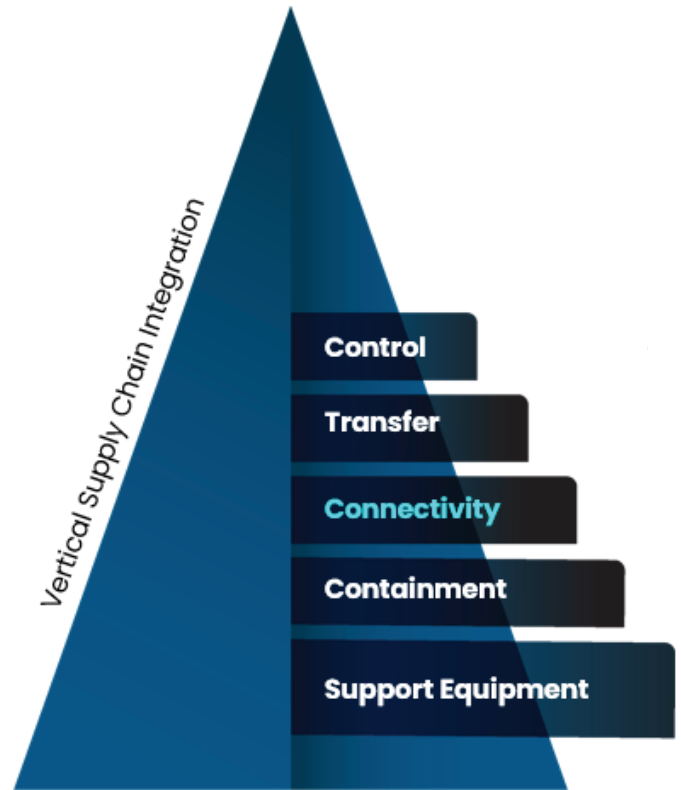
- Maximum pressure 125 psi (8.6 Bar)
- Suitable for autoclave to 135° C and gamma to 50 kGy
- Operating temperature 2 - 40° C
- Suitable for metallic and non-metallic BPE Type A and B hygienic fittings
- 0 - 4.5 N m (0 - 40 in lbs) torque rating

**Physical Properties**

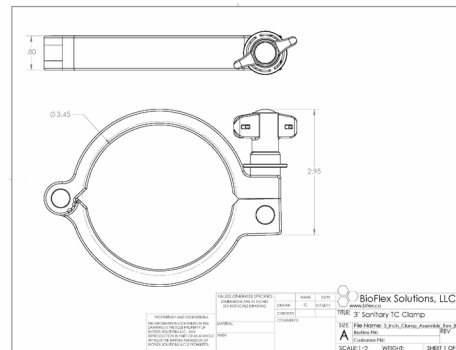
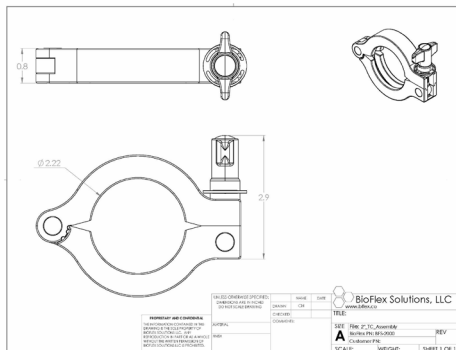
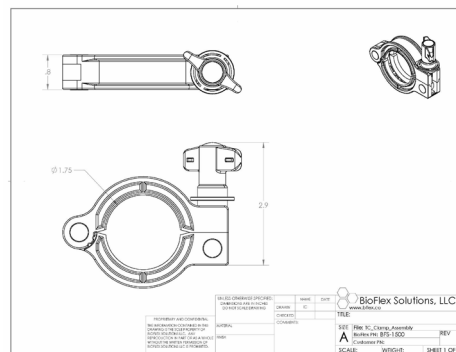
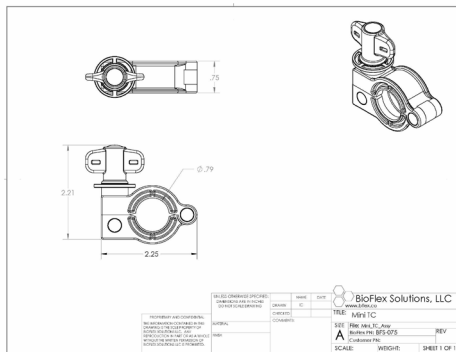
- Materials: Reinforced Nylon USP Class VI
- Single material construction
- Maximum exposure Temperature: 220° C

**Biocompatibility and Regulatory**

- ADCF
- ISO 9001 compliant, ISO 10993
- USP Class VI, <87>, <88>
- FDA CFR 21 177.1500



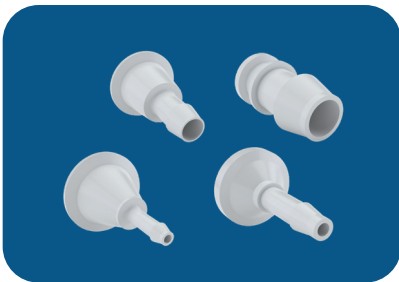
Our open-source approach to vertical integration offers supply chain management of your complete assembly, providing the flexibility and security of supply you need to move your process forward.



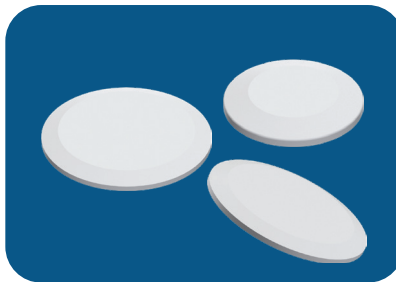
## Specifications

Description and Sizes	Package Quantity	Part Number
Single-use Sanitary Plastic Clamp, ½" and ¾"	10	BFS-075-010
	25	BFS-075-025
	50	BFS-075-050
Single-use Sanitary Plastic Clamp, 1" and 1 - ½"	10	BFS-1500-010
	50	BFS-1500-050
Single-use Sanitary Plastic Clamp, 2"	10	BFS-2000-010
	25	BFS-2000-025
Single-use Sanitary Plastic Clamp, 3"	10	BFS-3000-010
	25	BFS-3000-025

## Related Products



Hose-barb adapters



End caps



Tubing management

### Customer Service

Repligen Corporation  
 41 Seyon Street  
 Building 1, Suite 100  
 Waltham, Massachusetts 02453

[customerserviceUS@repligen.com](mailto:customerserviceUS@repligen.com)

(781) 250-0111

RE\_0138\_0096\_10JUL2023